

## VACUUM CONTROL UNIT VC 900

DATA SHEET E 320



### Technical features

- Control of the vacuum application
- Separate control unit with pressure sensors and two-step controlled valve to be placed independently from the operating unit
- Easy to use

### Technical data

OPERATING UNIT	
Housing materials	Plastic
Power supply	Power cord, cable length 150 cm
Protection class	IP 30
Mains voltage [V]	100 - 240
Frequency [Hz]	50/60
Operating current [A]	max. 1.0
Dimensions W x H x D [mm]	101 x 181 x 67
Accuracy of measurement	± 1 mbar
Measuring limit [mbar abs.]	upper: 1100 lower: 0
Interface	Mini-USB

CONTROL UNIT	
Dimensions W x H x D [mm]	155 x 109 x 60
Hose connections:	
- for gas in	ID 10, PVDF
- for gas out	ID 10, PVDF
- for venting	ID 4, nickel-plated brass

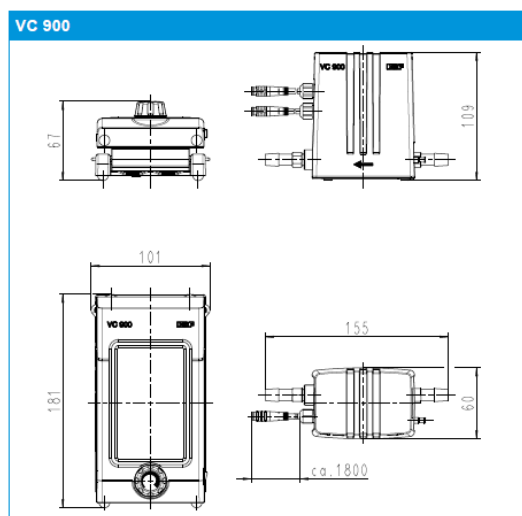
### OTHER DATA

Total weight [kg]	1.2
Permissible media and ambient temperature [°C]	+10 to +40

### INSTALLATION

Operating unit can be used as bench-top device providing 3 different display positions
Operating unit can be mounted at the wall

### Dimensions



ACCESSOIRES	ID	
Connection cable for N 920 G interface	2 meter	307757
	5 meter	307758

### Combination possibility

