



COOLING INCUBATORS

Cooling incubators

Series KT	Page 6
Series KB ECO	Page 12
Series KB	Page 20
Series KB PRO	Page 28

BINDER offers a versatile range of cooling incubators for precise and homogeneous temperature control. The KB series (0 °C to +70 °C) is ideal for the incubation of microorganisms, while the powerful KB PRO series (-20 °C to +100 °C) covers a wide range of applications. The environmentally friendly KT and KB ECO series use Peltier technology and are climate-neutral. Thanks to innovative APT.line preheating technology, the temperature distribution always remains optimal - even when fully loaded.

ADVANTAGES AT A GLANCE



SAFE AND POWERFUL

Convenient decontamination of the high-quality stainless-steel interior using hot air at 100 °C. KB PRO with a wide temperature range from -20 °C to +100 °C for demanding tests.



UNLIMITED FLEXIBILITY

Wide range of applications thanks to large product portfolio with compressor or Peltier units, as table-top or floor-standing units up to 1600 L. The cooling incubators can be individually adapted to requirements with a wide range of accessories.



MODULARITY THAT GROWS WITH YOU

KB, KB PRO

Modular equipment options, such as light modules, can be retrofitted at any time. Light modules turn the KB PRO cooling incubator into a photostability test chamber or plant growth chamber.



NEW STANDARDS IN ENERGY EFFICIENCY

Exemplary environmental friendliness thanks to maximum energy efficiency and avoidance of climate-damaging refrigerants.

Series KT | with Peltier technology

The KT series combines outstanding performance with impressive energy efficiency and environmental friendliness. The cooled incubators of the KT series are state-of-the-art in application and protect the samples.



Model 115

BENEFITS

- Safe and reproducible incubation conditions even at high environmental conditions
- Hot air disinfection at 100°C
- Energy efficient, environmentally friendly and secure

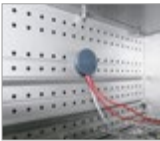



IMPORTANT CHARACTERISTICS

- Temperature range: +4 °C to +100 °C
- APT.line™ preheating chamber technology
- Adjustable fan speed
- Electric cooling with Peltier module
- Controller with time-segment and real-time programming
- Display via LCD monitor
- Input via pushbutton/rotary knob
- Inner door made of tempered safety glass
- 2 stainless steel racks
- Stackable
- Class 3.1 independent temperature safety device (DIN 12880) with visual and audible temperature alarm
- Computer interface: Ethernet
- Data recording and USB interface

AVAILABLE SIZES

Designation	Interior volume	Kurz-URL
KT 53	52	> go2binder.com/en-KT53
KT 115	102	> go2binder.com/en-KT115
KT 170	163	> go2binder.com/en-KT170

OPTIONAL EQUIPMENT

Access port with silicone plug	For introducing external measuring instruments. Large selection of different diameters and positions (left, right, or top)	
Door lock	Lockable door handle prevents unauthorized access.	
Services	You can access our installation, maintenance, calibration, validation, or warranty services by taking out a Maintenance Service Agreement or by simply getting in touch when you need us. More information is available in the accessories and services chapter.	
BINDER Customized Solutions	Using a BINDER series production product as a basis, we develop individual solutions as a single unit or in small batches. All products are tested, certified, and supplied with a full functional guarantee and warranty.	

► Alle Extras Online go2binder.com/de-Optionen

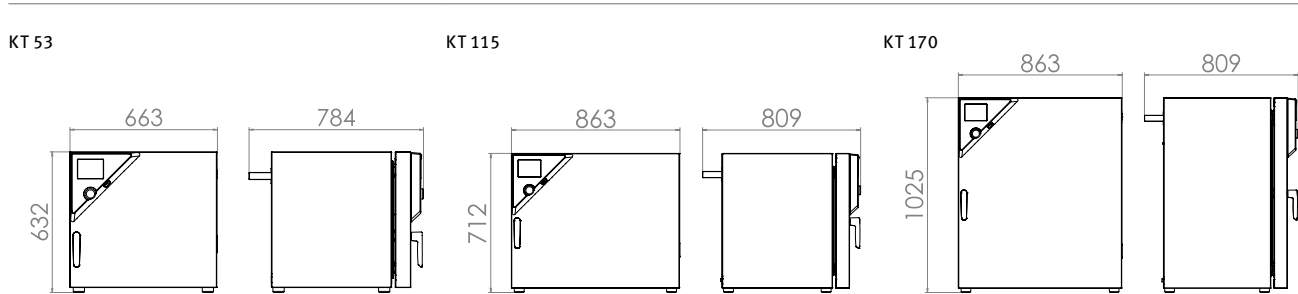
TECHNICAL DATA

Data			
Designation	KT 53	KT 115	KT 170
Option model	Standard	Standard	Standard
Performance Data Temperature			
Temperature range	4...100 °C	4...100 °C	4...100 °C
Temperature uniformity at 37°C	0,3 ± K	0,3 ± K	0,4 ± K
Temperature fluctuation at 37°C	0,1 ± K	0,1 ± K	0,1 ± K
Max. heat compensation at 40°C	100 W	100 W	100 W
Recovery time after door was opened for 30 s at 37°C	2 min	3 min	3 min
Electrical data			
Nominal power	1,1 kW	0,7 kW	0,8 kW
Unit fuse	10,0 A	10,0 A	10,0 A
Phase (Nominal voltage)	1~	1~	1~
Dimensions and weights			
Interior volume	52 L	102 L	163 L
Net weight of the unit (empty)	63 kg	83 kg	102 kg
Load per rack	15 kg	30 kg	30 kg
Permitted load	40 kg	100 kg	120 kg
Wall clearance back	100 mm	100 mm	100 mm
Wall clearance sidewise	240 mm	240 mm	240 mm
Housing dimensions not incl. fittings and connections			
Width net	660 mm	860 mm	860 mm
Height net	635 mm	715 mm	1,025 mm
Depth net	630 mm	655 mm	655 mm
Internal Dimensions			
Interior width	400 mm	600 mm	600 mm
Interior height	400 mm	455 mm	765 mm
Interior depth	334 mm	355 mm	355 mm
Inner doors	1	1	1
Unit doors	1	1	1
Environment-specific data			
Sound-pressure level			48 dB(A)
Energy consumption at 37°C	75 Wh/h	75 Wh/h	80 Wh/h
Fixtures			
Number of shelves (std./max.)	2/5	2/6	2/10

ORDERING INFORMATION

Interior volume [L]	Power supply - unit fuse	Plug*	Version	Model version	Art.-No.
Model KT 53					
53	100...120 V 1~ 50/60 Hz -10,0 A	NEMA 5-20	Standard	KT053UL-120V	9020-0312
	200...240 V 1~ 50/60 Hz -10,0 A	CEE 7/7	Standard	KT053-230V	9020-0311
Model KT 115					
102	100...120 V 1~ 50/60 Hz -10,0 A	NEMA 5-20	Standard	KT115UL-120V	9020-0314
	200...240 V 1~ 50/60 Hz -10,0 A	CEE 7/7	Standard	KT115-230V	9020-0313
Model KT 170					
163	100...120 V 1~ 50/60 Hz -10,0 A	NEMA 5-20	Standard	KT170UL-120V	9020-0310
	200...240 V 1~ 50/60 Hz -10,0 A	CEE 7/7	Standard	KT170-230V	9020-0289

DIMENSIONS AND WEIGHTS



OPTIONS

Designation	Description	KT	KT	KT	*	Art.-No.
		53	115	170		
Access port with silicone plug	left					
	10 mm	•	•	•	01	8012-1290
	30 mm	•	•	•	01	8012-1158
	50 mm	•	•	•	01	8012-1165
	right					
	10 mm	•	•	•	01	8012-1289
	30 mm	•	•	•	01	8012-1155
	50 mm	•	•	•	01	8012-1163
	top					
	10 mm	•	•	•	01	8012-1288
	30 mm	•	•	•	01	8012-1152
	50 mm	•	•	•	01	8012-1161
100 mm	•	•	•	01	8012-1168	
Alarm output, zero-voltage	for temperature (± 2 °C), accessible via 6-pin DIN socket (max. 24 V - 2.5 A), with audible signal that can be switched off	•	-	-	-	8012-0982
		-	•	-	-	8012-1001
		-	-	•	-	8012-1002
Calibration certificate, expanded	for temperature; for extending the measurement in center of chamber to include another test temperature	•	•	•	-	8012-1122

Designation	Description	KT 53	KT 115	KT 170	*	Art.-No.
Calibration certificate, temperature	for temperature, measurement in center of chamber at specified temperature	•	•	•	-	8012-1141
	temperature measurement incl. certificate, 9 measuring points at specified temperature	•	•	•	-	8012-1558
	temperature measurement incl. certificate, 15- 18 measuring points at specified temperature	•	•	•	-	8012-1579
	temperature measurement incl. certificate and 27 measuring points at specified temperature	•	•	•	-	8012-1600
Door lock	lockable door handle	•	•	•	-	8012-1668
Pt 100 temperature sensor	additional flexible Pt 100, interior, for displaying the temperature on the unit display	•	-	-	-	8012-0935
		-	•	-	-	8012-0993
		-	-	•	-	8012-0994
Shelf, reinforced	positioned at bottom level, max. load 45 kg, with additional attachment for operation of shaking device, stirring device or roller bottle system	•	-	-	-	8012-0818
		-	•	•	-	8012-0817

ACCESSORIES

Designation	Description	KT 53	KT 115	KT 170	*	Art.-No.
APT-COM™ 4 BASIC-Edition	for simple logging and documentation requirements with up to 5 networked units. version 4, BASIC edition	•	•	•	-	9053-0039
APT-COM™ 4 GLP-Edition	for working under GLP-compliant conditions. Measured values are documented in a tamper-proof way in line with the requirements of FDA Regulation 21 CFR 11. version 4, GLP edition	•	•	•	-	9053-0042
APT-COM™ 4 PROFESSIONAL-Edition	convenient unit and user management built on the BASIC edition. Suitable for networking up to 100 units. version 4, PROFESSIONAL edition	•	•	•	-	9053-0040
LED light bars	Basic set consisting of 2 pieces, attachment material, control unit for max. 4 light strips, 100-240 V, 50/60 Hz					
	Basic set 300, length 30 cm	•	•	•	-	8012-1107
	Basic set 500, length 50 cm	-	•	•	-	8012-1108
	Expansion set consisting of 2 pieces, attachment material: clips. For expanding the basic set of light bars					
	Expansion set 300, length 30 cm	•	•	•	-	8012-1716
	Expansion set 500, length 50 cm	-	•	•	-	8012-1717
pH-neutral detergent	concentrated, for gentle remove of residual contaminants; 1 kg	•	•	•	-	8012-2250
Qualification documents	IQ/OQ/PQ documents – supporting documents for validation performed by customers, according to customer requirements, PQ section added to qualification folder IQ/OQ; parameters: temperature, CO ₂ , O ₂ – or pressure, depending on unit					
	Digital in PDF format	•	•	•	-	7057-0005
	Hard copy inside folder	•	•	•	-	7007-0005
	IQ/OQ documents – supporting documents for validation performed by customers, consisting of: IQ/OQ checklists incl. calibration guide and comprehensive unit documentation; parameters: temperature, CO ₂ , O ₂ , pressure, depending on unit					
	Digital in PDF format	•	•	•	-	7057-0001
	Hard copy inside folder	•	•	•	-	7007-0001
Rack	stainless steel	•	-	-	-	8012-2047
		-	•	•	-	8012-2049

Designation	Description	KT 53	KT 115	KT 170	*	Art.-No.
Rack, reinforced	stainless steel, with fasteners (1 set of 4)	•	–	–	–	8012-0829
		–	•	•	–	8012-0828
Rack accessories	fasteners (1 set of 4) for additional security of racks	•	•	•	–	8012-2280
Rubber pads	set anti-slip feet	•	•	•	–	8012-2030
Shelf, perforated	Stainless steel	•	–	–	–	8012-2083
		–	•	–	–	8012-2165
Table on castors	stable cart, casters with locking brakes, dimensions: W 1,000 x D 800 x H 780 mm	•	•	•	–	9051-0018

SERVICES

Designation	Description	*	Art.-No.
1-year warranty extension	The warranty is extended by 1 year from the delivery date, wear parts are excluded	–	DL50-0010
BRONZE 3-year maintenance contract	Maintenance service as contractually agreed, visual inspection of mechanical and electrical components, check of control response, 20% discount on spare parts	–	DL20-0720
Calibration certificate, temperature	Calibration of one (1) test temperature specified by the user in center of chamber, including certificate	–	DL30-0135
	Extension of calibration of one (1) additional test temperature specified by the user in the center of the usable space, including certificate	–	DL30-0102
Execution of IQ/OQ	Execution of IQ/OQ in accordance with qualification folder	–	DL41-0200
Execution of IQ/OQ/PQ	Execution of IQ/OQ/PQ in accordance with qualification folder	–	DL44-0500
GOLD 3-year maintenance contract	Maintenance service as contractually agreed, visual inspection of mechanical and electrical components, check of control response, 20% discount on spare parts, testing of all key functions, replacement of wear parts, calibration of one test temperature specified by the user in the center of the usable space, including certificate	–	DL20-0945
Maintenance	One-off maintenance service in accordance with maintenance schedule. Visual inspection of mechanical and electrical components, testing of all key functions. Calibration of a test temperature specified by the user in center of usable space without certificate	–	DL20-0604
SILVER 3-year maintenance contract	Maintenance service as contractually agreed, visual inspection of mechanical and electrical components, check of control response, 20% discount on spare parts, testing of all key functions, calibration of one test temperature specified by the user in the center of the usable space, without certificate	–	DL20-0845
Temperature measurement, 9 measuring points	Temperature measurement with 9 measuring points with a set value specified by the user, including certificate	–	DL30-0109
Temperature measurement, 18 measuring points	Temperature measurement with 18 measuring points with a set value specified by the user, including certificate	–	DL30-0118
Temperature measurement, 27 measuring points	Temperature measurement with 27 measuring points with a set value specified by the user, including certificate	–	DL30-0127
Unit commissioning	Connect the unit to the customer-side connections (electricity, water, wastewater, gas), basic functions check, brief operating instructions. (excl.: unpacking, setup, controller instructions, programming, installation work)	–	DL10-0100
Unit instructions	Instruction regarding operating principle and basic functions of the unit, operation of the control electronics including programming	05	DL10-0500

Series KB ECO | with environmentally friendly thermoelectric cooling

Thanks to thermoelectric cooling technology with patented heat dissipation, the new KB ECO cooling incubator is one of the most energy-efficient cooling incubator on the market. The thermoelectric cooling technology means the KB ECO series is also very quiet during operation.



Model 720

BENEFITS

- **Safe:** Unique condensate and dry-out protection for all operating conditions
- **Reliable:** Fail-safe operation due to intelligent thermoelectric tempering
- **Smart:** Temperatures programmable for intermitted incubation and refrigeration
- **Economical:** Minimum energy consumption thanks to optimized thermoelectric cooling

IMPORTANT CHARACTERISTICS

- Temperature range: 0°C through +70°C (max. 28°C below the ambient temperature)
- APT.line™ preheating chamber technology
- Electric temperature control thanks to thermoelectric cooling module with innovative heat dissipation
- Inner door made of tempered safety glass
- Inner chamber made completely of stainless steel
- 2 rack, stainless steel
- Adjustable condensate protection
- Access port with silicone plug Ø 30 mm
- LCD to display temperature along with additional information and alarms
- Internal data logger, measured values can be read out in open format via USB
- Unit self-test for comprehensive status analysis
- Computer interface: Ethernet

AVAILABLE SIZES

Designation	Interior volume	Kurz-URL
KB ECO 240	247	> go2binder.com/en-KB-ECO240
KB ECO 400	400	> go2binder.com/en-KB-ECO400
KB ECO 720	700	> go2binder.com/en-KB-ECO720
KB ECO 1020	1,020	> go2binder.com/en-KB-ECO1020

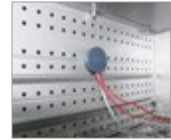
OPTIONAL EQUIPMENT

LED light bars

LED light bars in three different lengths (30, 50, 90 cm) can be easily and variably positioned in the BINDER unit, including various attachment options and control unit. Additional light bars can be added as desired.

**Access port with silicone plug**

For introducing external measuring instruments. Large selection of different diameters and positions (left, right, or top)

**Door lock**

Lockable door handle prevents unauthorized access.

**Services**

You can access our installation, maintenance, calibration, validation, or warranty services by taking out a Maintenance Service Agreement or by simply getting in touch when you need us. More information is available in the accessories and services chapter.



► Alle Extras Online go2binder.com/de-Optionen

TECHNICAL DATA

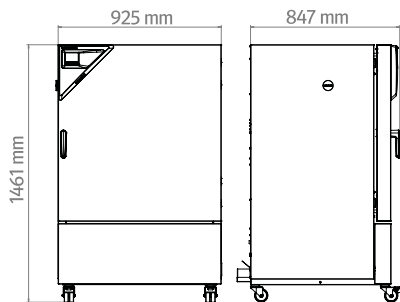
Data				
Designation	KB ECO 240	KB ECO 400	KB ECO 720	KB ECO 1020
Option model	Standard	Standard	Standard	Standard
Performance Data Temperature				
Temperature range	(max. 28 °C under ambient temperature) 0...70 °C	(max. 28 °C under ambient temperature) 0...70 °C	(max. 26 °C under ambient temperature) 0...70 °C	(max. 26 °C under ambient temperature) 0...70 °C
Temperature uniformity at 37°C	0.1 ± K	0.1 ± K	0.1 ± K	0.1 ± K
Temperature fluctuation at 37°C	0.1 ± K	0.1 ± K	0.1 ± K	0.1 ± K
Max. heat compensation at 40°C	350 W	350 W	500 W	500 W
Recovery time after door was opened for 30 s at 37°C	3 min	6 min	4 min	4 min
Electrical data				
Nominal power	1,2 kW			
Dimensions and weights				
Interior volume	247 L	400 L	700 L	1,020 L
Net weight of the unit (empty)	152 kg	196 kg	272 kg	327 kg
Load per rack	30 kg	30 kg	45 kg	45 kg
Permitted load	100 kg	120 kg	150 kg	150 kg
Wall clearance back	100 mm	100 mm	100 mm	100 mm
Wall clearance sidewise	100 mm	100 mm	100 mm	100 mm
Housing dimensions not incl. fittings and connections				
Width net	925 mm	925 mm	1,250 mm	1,250 mm
Height net	1,461 mm	1,946 mm	1,925 mm	1,925 mm
Depth net	796 mm	796 mm	885 mm	1,149 mm
Internal Dimensions				
Interior width	650 mm	650 mm	973 mm	973 mm
Interior height	785 mm	1,268 mm	1,250 mm	1,250 mm
Interior depth	485 mm	485 mm	576 mm	836 mm
Inner doors	1	1	2	2
Unit doors	1	1	2	2
Environment-specific data				
Sound-pressure level	43 dB(A)	43 dB(A)	47 dB(A)	47 dB(A)
Energy consumption at 37°C	65 Wh/h	70 Wh/h	105 Wh/h	105 Wh/h
Fixtures				
Number of shelves (std./max.)	2/9	2/15	2/15	2/15

ORDERING INFORMATION

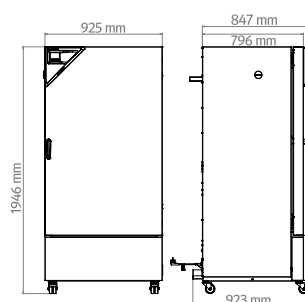
Interior volume [L]	Power supply - unit fuse	Plug*	Version	Model version	Art.-No.
Model KB ECO 240					
247	100...120 V 1~ 50/60 Hz -16,0 A	NEMA 5-20	Standard	KBECO240UL-120V	9020-0426
	200...230 V 1~ 50/60 Hz -16,0 A	CEE 7/7	Standard	KBECO240-230V	9020-0423
Model KB ECO 400					
400	100...120 V 1~ 50/60 Hz -16,0 A	NEMA 5-20	Standard	KBECO400-120V	9020-0466
	200...230 V 1~ 50/60 Hz -16,0 A	CEE 7/7	Standard	KBECO400-230V	9020-0465
Model KB ECO 720					
700	100...120 V 1~ 50/60 Hz -16,0 A	NEMA 5-20	Standard	KBECO720UL-120V	9020-0427
	200...230 V 1~ 50/60 Hz -16,0 A	CEE 7/7	Standard	KBECO720-230V	9020-0424
Model KB ECO 1020					
1,020	100...120 V 1~ 50/60 Hz -16,0 A	NEMA 5-20	Standard	KBECO1020UL-120V	9020-0428
	200...230 V 1~ 50/60 Hz -16,0 A	CEE 7/7	Standard	KBECO1020-230V	9020-0425

DIMENSIONS AND WEIGHTS

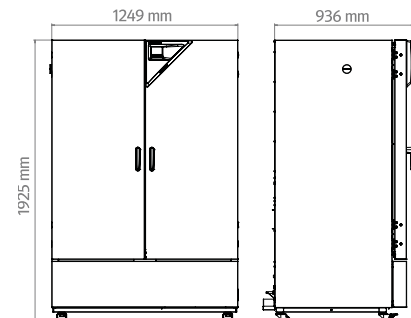
KB ECO 240



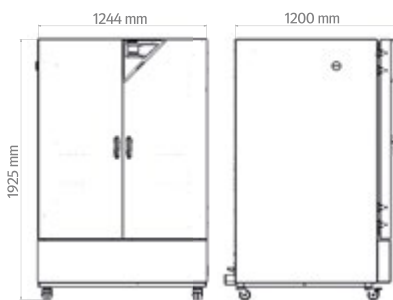
KB ECO 400



KB ECO 720



KB ECO 1020



OPTIONS

Designation	Description	KB	KB	KB	KB	*	Art.-No.
		ECO 240	ECO 400	ECO 720	ECO 1020		
Access port with silicone plug	left						
	30 mm	•	•	•	•	01	8012-2113
	50 mm	•	•	•	•	01	8012-2120
	100 mm	•	•	•	•	01	8012-2118
	right						
	30 mm	•	•	•	•	01	8012-2112
	50 mm	•	•	•	•	01	8012-2119
	100 mm	•	•	•	•	01	8012-2117
	top						
	30 mm	•	•	•	•	01	8012-2114
	50 mm	•	•	•	•	01	8012-2115
	100 mm	•	•	•	•	01	8012-2116
Calibration certificate, expanded	for temperature; for extending the measurement in center of chamber to include another test temperature	•	•	•	•	-	8012-2107
Calibration certificate, temperature	for temperature, measurement in center of chamber at specified temperature	•	•	•	•	-	8012-2106
	temperature measurement incl. certificate, 9 measuring points at specified temperature	•	•	•	•	-	8012-2108
	temperature measurement incl. certificate, 15- 18 measuring points at specified temperature	•	•	•	•	-	8012-2109
	temperature measurement incl. certificate and 27 measuring points at specified temperature	•	•	•	•	-	8012-2110
Door lock	lockable door handle	•	•	-	-	-	8012-2121
		-	-	•	•	-	8012-2122

ACCESSORIES

Designation	Description	KB	KB	KB	KB	*	Art.-No.
		ECO 240	ECO 400	ECO 720	ECO 1020		
APT-COM™ 4 BASIC-Edition	for simple logging and documentation requirements with up to 5 networked units. version 4, BASIC edition	•	•	•	•	-	9053-0039
APT-COM™ 4 GLP-Edition	for working under GLP-compliant conditions. Measured values are documented in a tamper-proof way in line with the requirements of FDA Regulation 21 CFR 11. version 4, GLP edition	•	•	•	•	-	9053-0042
APT-COM™ 4 PROFESSIONAL-Edition	convenient unit and user management built on the BASIC edition. Suitable for networking up to 100 units. version 4, PROFESSIONAL edition	•	•	•	•	-	9053-0040

Designation	Description	KB	KB	KB	KB	*	Art.-No.	
		ECO 240	ECO 400	ECO 720	ECO 1020			
LED light bars	Basic set consisting of 2 pieces, attachment material, control unit for max. 4 light strips, 100-240 V, 50/60 Hz							
	Basic set 300, length 30 cm	•	•	•	•	-	8012-1107	
	Basic set 500, length 50 cm	•	•	•	•	-	8012-1108	
	Basic set 900, length 90 cm	-	-	•	•	-	8012-1109	
	Expansion set consisting of 2 pieces, attachment material: clips. For expanding the basic set of light bars							
	Expansion set 300, length 30 cm	•	•	•	•	-	8012-1716	
	Expansion set 500, length 50 cm	•	•	•	•	-	8012-1717	
pH-neutral detergent	Expansion set 900, length 90 cm	-	-	•	•	-	8012-1718	
	concentrated, for gentle remove of residual contaminants; 1 kg	•	•	•	•	-	8012-2250	
Qualification documents	IQ/OQ/PQ documents – supporting documents for validation performed by customers, according to customer requirements, PQ section added to qualification folder IQ/OQ; parameters: temperature, CO ₂ , O ₂ – or pressure, depending on unit							
	Digital in PDF format	•	•	•	•	-	7057-0005	
	Hard copy inside folder	•	•	•	•	-	7007-0005	
	IQ/OQ documents – supporting documents for validation performed by customers, consisting of: IQ/OQ checklists incl. calibration guide and comprehensive unit documentation; parameters: temperature, CO ₂ , O ₂ , pressure, depending on unit							
	Digital in PDF format	•	•	•	•	-	7057-0001	
Rack	stainless steel	Hard copy inside folder	•	•	•	•	-	7007-0001
			•	•	-	-	-	8012-2050
			-	-	•	-	-	8012-2051
			-	-	-	•	-	8012-2052
Rack, reinforced	stainless steel, with fasteners (1 set of 4)		•	•	-	-	-	8012-0638
			-	-	•	-	-	8012-0674
			-	-	-	•	-	8012-0968
Shelf, perforated	Stainless steel		•	•	-	-	-	8012-2163
			-	-	•	-	-	8012-2252
			-	-	-	•	-	8012-2254

SERVICES

Designation	Description	*	Art.-No.
1-year warranty extension	The warranty is extended by 1 year from the delivery date, wear parts are excluded	-	DL50-0010
BRONZE 3-year maintenance contract	Maintenance service as contractually agreed, visual inspection of mechanical and electrical components, check of control response, 20% discount on spare parts	-	DL20-0720
Calibration certificate, temperature	Calibration of one (1) test temperature specified by the user in center of chamber, including certificate	-	DL30-0135
	Extension of calibration of one (1) additional test temperature specified by the user in the center of the usable space, including certificate	-	DL30-0102
Execution of IQ/OQ	Execution of IQ/OQ in accordance with qualification folder	-	DL41-0200
Execution of IQ/OQ/PQ	Execution of IQ/OQ/PQ in accordance with qualification folder	-	DL44-0500
GOLD 3-year maintenance contract	Maintenance service as contractually agreed, visual inspection of mechanical and electrical components, check of control response, 20% discount on spare parts, testing of all key functions, replacement of wear parts, calibration of one test temperature specified by the user in the center of the usable space, including certificate	-	DL20-0945

Designation	Description	*	Art.-No.
Maintenance	One-off maintenance service in accordance with maintenance schedule. Visual inspection of mechanical and electrical components, testing of all key functions. Calibration of a test temperature specified by the user in center of usable space without certificate	-	DL20-0604
SILVER 3-year maintenance contract	Maintenance service as contractually agreed, visual inspection of mechanical and electrical components, check of control response, 20% discount on spare parts, testing of all key functions, calibration of one test temperature specified by the user in the center of the usable space, without certificate	-	DL20-0845
Temperature measurement, 9 measuring points	Temperature measurement with 9 measuring points with a set value specified by the user, including certificate	-	DL30-0109
Temperature measurement, 18 measuring points	Temperature measurement with 18 measuring points with a set value specified by the user, including certificate	-	DL30-0118
Temperature measurement, 27 measuring points	Temperature measurement with 27 measuring points with a set value specified by the user, including certificate	-	DL30-0127
Unit commissioning	Connect the unit to the customer-side connections (electricity, water, wastewater, gas), basic functions check, brief operating instructions. (excl.: unpacking, setup, controller instructions, programming, installation work)	-	DL10-0100
Unit instructions	Instruction regarding operating principle and basic functions of the unit, operation of the control electronics including programming	05	DL10-0500

Series KB | with a large temperature range

The powerful virtuoso in cooling incubators for microorganisms: KB units are able to incubate with exceptional precision even when fully loaded, feature a hot-air disinfection routine, and can be programmed for weekend operation with ease. The new KB unit consumes as much as 40% less energy than the previous model.



Model 470

BENEFITS

- Assured: highly precise incubation conditions thanks to power reserves
- Reliable: failsafe operation over the long term thanks to proven compressor technology and interior made of stainless steel
- Smart: hot-air disinfection and easy programming of a second set temperature
- Economical: up to 40% lower energy consumption than the previous model thanks to modern inverter cooling technology

IMPORTANT CHARACTERISTICS

- Temperature range: 0°C to +70°C
- Proven APT.line™ preheating chamber technology
- Up to 40% lower energy consumption compared to the previous model
- Energy-efficient cooling with modern inverter cooling unit
- Cooling with climate-neutral R-600a refrigerant
- Door heating to prevent condensation
- Robust housing design with HIT sandwich technology
- Interior made completely of stainless steel
- Inner doors made of metal oxide-coated safety glass
- Two racks made of stainless steel
- Large access port with silicone plug
- Tabletop units (up to model 130) are stackable with stacking adapter
- Floor-standing units (from model 260) featuring robust twin casters, with brakes at the front
- Simple programming of a second set temperature value
- Internal data logger, measured values can be read out in open format via USB
- Class 3.3 independent temperature safety device (DIN 12880) with visual and acoustic alarms
- Unit self-test for comprehensive status analysis
- Data interfaces: Ethernet, USB

AVAILABLE SIZES

Designation	Interior volume	Kurz-URL
KB 65	63	> go2binder.com/en-KB65
KB 130	127	> go2binder.com/en-KB130
KB 260	262	> go2binder.com/en-KB260
KB 470	472	> go2binder.com/en-KB470
KB 720	727	> go2binder.com/en-KB720
KB 1060	1,070	> go2binder.com/en-KB1060

OPTIONAL EQUIPMENT

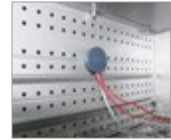
LED light bars

LED light bars in three different lengths (30, 50, 90 cm) can be easily and variably positioned in the BINDER unit, including various attachment options and control unit. Additional light bars can be added as desired.



Access port with silicone plug

For introducing external measuring instruments. Large selection of different diameters and positions (left, right, or top)



Interior lighting

The climate-resistant LED light switches on automatically when the door is opened.



Services

You can access our installation, maintenance, calibration, validation, or warranty services by taking out a Maintenance Service Agreement or by simply getting in touch when you need us. More information is available in the accessories and services chapter.



► Alle Extras Online go2binder.com/de-Optionen

TECHNICAL DATA

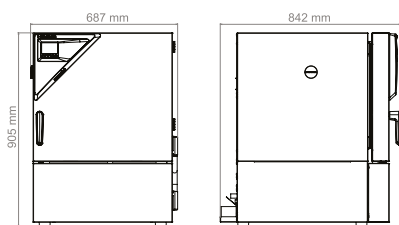
Data						
Designation	KB 65	KB 130	KB 260	KB 470	KB 720	KB 1060
Option model	Standard	Standard	Standard	Standard	Standard	Standard
Performance Data Temperature						
Temperature range	0...70 °C	0...70 °C	0...70 °C	0...70 °C	0...70 °C	0...70 °C
Temperature uniformity at 37°C	0.2 ± K	0.2 ± K	0.2 ± K	0.2 ± K	0.2 ± K	0.2 ± K
Temperature fluctuation at 37°C	0.2 ± K	0.1 ± K	0.1 ± K	0.1 ± K	0.1 ± K	0.1 ± K
Max. heat compensation at 37°C	160 W	270 W	410 W	530 W	640 W	640 W
Recovery time after door was opened for 30 s at 37°C	3 min	3 min	3 min	3 min	3 min	3 min
Electrical data						
Power frequency	50/60 Hz	50/60 Hz	50/60 Hz	50/60 Hz	50/60 Hz	50/60 Hz
Nominal power	0,9 kW	1,2 kW	1,3 kW	1,3 kW	1,5 kW	1,5 kW
Unit fuse	16,0 A	16,0 A	16,0 A	16,0 A	16,0 A	16,0 A
Phase (Nominal voltage)	1~	1~	1~	1~	1~	1~
Dimensions and weights						
Interior volume	63 L	127 L	262 L	472 L	727 L	1,070 L
Net weight of the unit (empty)	95 kg	124 kg	174 kg	212 kg	285 kg	315 kg
Load per rack	25 kg	25 kg	30 kg	40 kg	40 kg	40 kg
Permitted load	50 kg	50 kg	90 kg	90 kg	100 kg	100 kg
Wall clearance back	100 mm	100 mm	100 mm	100 mm	100 mm	100 mm
Wall clearance sidewise	100 mm	100 mm	180 mm	180 mm	180 mm	180 mm
Housing dimensions not incl. fittings and connections						
Width net	650 mm	900 mm	930 mm	930 mm	1,285 mm	1,285 mm
Height net	905 mm	1,005 mm	1,396 mm	1,951 mm	1,951 mm	1,951 mm
Depth net	710 mm	710 mm	900 mm	900 mm	900 mm	1,175 mm
Internal Dimensions						
Interior width	406 mm	656 mm	656 mm	656 mm	1,011 mm	1,011 mm
Interior height	400 mm	500 mm	695 mm	1,250 mm	1,250 mm	1,250 mm
Interior depth	386 mm	386 mm	575 mm	575 mm	575 mm	847 mm
Inner doors	1	1	1	1	2	2
Unit doors	1	1	1	1	2	2
Environment-specific data						
Sound-pressure level at 25°C	44 dB(A)	47 dB(A)	50 dB(A)	51 dB(A)	51 dB(A)	52 dB(A)
Fixtures						
Number of shelves (std./max.)	2/4	2/6	2/9	2/16	2/16	2/16

ORDERING INFORMATION

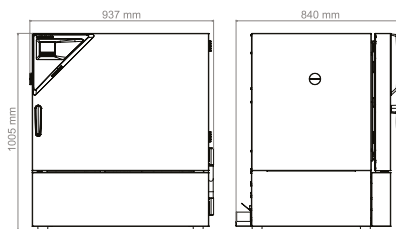
Interior volume [L]	Power supply - unit fuse	Plug*	Version	Model version	Art.-No.
Model KB 65					
63	120 V 1~ 50/60 Hz -16,0 A	NEMA 5-20	Standard	KB065UL-120V	9020-0491
	220...240 V 1~ 50/60 Hz -16,0 A	CEE 7/7	Standard	KB065-230V	9020-0471
Model KB 130					
127	120 V 1~ 50/60 Hz -16,0 A	NEMA 5-20	Standard	KB130UL-120V	9020-0500
	220...240 V 1~ 50/60 Hz -16,0 A	CEE 7/7	Standard	KB130-230V	9020-0472
Model KB 260					
262	120 V 1~ 50/60 Hz -16,0 A	NEMA 5-20	Standard	KB260UL-120V	9020-0501
	220...240 V 1~ 50/60 Hz -16,0 A	CEE 7/7	Standard	KB260-230V	9020-0473
Model KB 470					
472	120 V 1~ 50/60 Hz -16,0 A	NEMA 5-20	Standard	KB470UL-120V	9020-0502
	220...240 V 1~ 50/60 Hz -16,0 A	CEE 7/7	Standard	KB470-230V	9020-0474
Model KB 720					
727	120 V 1~ 50/60 Hz -16,0 A	NEMA 5-20	Standard	KB720UL-120V	9020-0503
	220...240 V 1~ 50/60 Hz -16,0 A	CEE 7/7	Standard	KB720-230V	9020-0475
Model KB 1060					
1,070	120 V 1~ 50/60 Hz -16,0 A	NEMA 5-20	Standard	KB1060UL-120V	9020-0504
	220...240 V 1~ 50/60 Hz -16,0 A	CEE 7/7	Standard	KB1060-230V	9020-0476

DIMENSIONS AND WEIGHTS

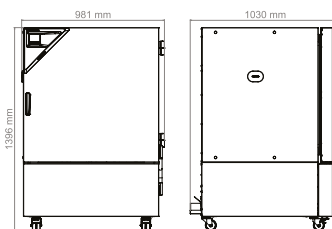
KB 65



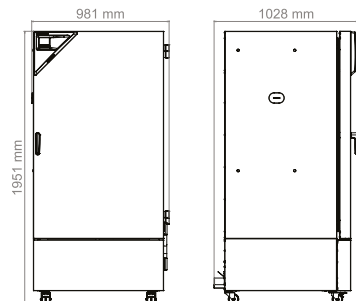
KB 130



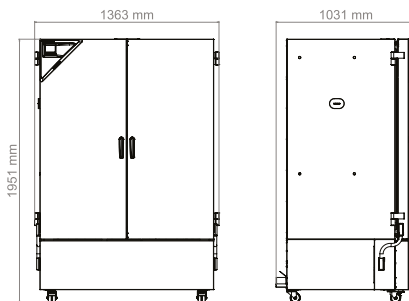
KB 260



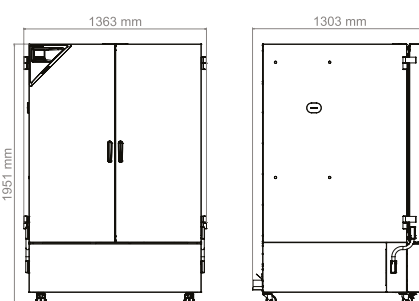
KB 470



KB 720



KB 1060



OPTIONS

Designation	Description	KB 65	KB 130	KB 260	KB 470	KB 720	KB 1060	*	Art.-No.
Access port with silicone plug	left								
	30 mm	•	•	•	•	•	•	01	8012-2465
	50 mm	•	•	•	•	•	•	01	8012-2466
	100 mm	–	–	•	•	•	•	01	8012-2467
	right								
	30 mm	•	•	•	•	•	•	01	8012-2468
	50 mm	•	•	•	•	•	•	01	8012-2469
	100 mm	–	–	•	•	•	•	01	8012-2470
	top								
	30 mm	•	•	•	•	•	•	01	8012-2497
	50 mm	•	•	•	•	•	•	01	8012-2471
	100 mm	•	•	•	•	•	•	01	8012-2472
Alarm output, zero-voltage	Accessible via 3-pin clamping sleeve (max. 24 V - 2.5 A), with acoustic signal that can be switched off	•	•	•	•	•	•	–	8012-2370
Analog output 4-20 mA	for temperature values (output not adjustable)	•	•	•	•	•	•	–	8012-2371
Calibration certificate, expanded	for temperature; for extending the measurement in center of chamber to include another test temperature	•	•	•	•	•	•	–	8012-2372
Calibration certificate, temperature	for temperature, measurement in center of chamber at specified temperature	•	•	•	•	•	•	–	8012-2571
	temperature measurement incl. certificate, 9 measuring points at specified temperature	•	•	•	•	•	•	–	8012-2376
	temperature measurement incl. certificate, 15- 18 measuring points at specified temperature	•	•	•	•	•	•	–	8012-2380
	temperature measurement incl. certificate and 27 measuring points at specified temperature	•	•	•	•	•	•	–	8012-2424
Door lock	lockable door handle	•	•	•	•	–	–	–	8012-2529
		–	–	–	–	•	•	–	8012-2530
Door lock, electromechanical	can be opened with PIN code via controller	•	•	•	•	–	–	–	8012-2531
		–	–	–	–	•	•	–	8012-2587
Inner chamber, reinforced	max. total load 100 kg	•	–	–	–	–	–	–	8012-2505
		–	•	–	–	–	–	–	8012-2506
	max. total load 180 kg	–	–	•	–	–	–	–	8012-2507
		–	–	–	•	–	–	–	8012-2508
	max. total load 200 kg	–	–	–	–	•	–	–	8012-2509
		–	–	–	–	–	•	–	8012-2510
Interior lighting	With climate-resistant LEDs, switches when the unit door is opened	•	–	–	–	–	–	–	8012-2555
		–	•	•	•	–	–	–	8012-2559
		–	–	–	–	•	•	–	8012-2563
Shipping pallet	with unloading ramp for installing unit without forklift	–	–	•	•	•	•	–	8012-2545
Specimen temperature display	Flexible Pt 100 indoor temperature sensor, for object temperature display or control	•	•	•	•	•	•	–	8012-2549
Swivel casters, height-adjustable	For horizontal alignment of the unit on uneven floors	–	–	•	•	•	•	–	8012-2541

ACCESSORIES

Designation	Description	KB	KB	KB	KB	KB	KB	*	Art.-No.
		65	130	260	470	720	1060		
APT-COM™ 4 BASIC-Edition	for simple logging and documentation requirements with up to 5 networked units.								
	version 4, BASIC edition	•	•	•	•	•	•	-	9053-0039
APT-COM™ 4 GLP-Edition	for working under GLP-compliant conditions. Measured values are documented in a tamper-proof way in line with the requirements of FDA Regulation 21 CFR 11.								
	version 4, GLP edition	•	•	•	•	•	•	-	9053-0042
APT-COM™ 4 PROFESSIONAL-Edition	convenient unit and user management built on the BASIC edition. Suitable for networking up to 100 units.								
	version 4, PROFESSIONAL edition	•	•	•	•	•	•	-	9053-0040
Base	With swivel casters, for mobile installation or leveling of the unit or stack of units	•	-	-	-	-	-	-	9051-0055
		-	•	-	-	-	-	-	9051-0045
LED light bars	Basic set consisting of 2 pieces, attachment material, control unit for max. 4 light strips, 100-240 V, 50/60 Hz								
	Basic set 300, length 30 cm	•	•	•	•	-	-	-	8012-1107
	Basic set 500, length 50 cm	-	•	•	•	•	•	-	8012-1108
	Basic set 900, length 90 cm	-	-	-	-	•	•	-	8012-1109
	Expansion set consisting of 2 pieces, attachment material: clips. For expanding the basic set of light bars								
	Expansion set 300, length 30 cm	•	•	•	•	-	-	-	8012-1716
	Expansion set 500, length 50 cm	-	•	•	•	•	•	-	8012-1717
pH-neutral detergent	concentrated, for gentle remove of residual contaminants; 1 kg	•	•	•	•	•	•	-	8012-2250
Qualification documents	IQ/OQ/PQ documents – supporting documents for validation performed by customers, according to customer requirements, PQ section added to qualification folder IQ/OQ; parameters: temperature, CO ₂ , O ₂ – or pressure, depending on unit								
	Digital in PDF format	•	•	•	•	•	•	-	7057-0005
	Hard copy inside folder	•	•	•	•	•	•	-	7007-0005
	IQ/OQ documents – supporting documents for validation performed by customers, consisting of: IQ/OQ checklists incl. calibration guide and comprehensive unit documentation; parameters: temperature, CO ₂ , O ₂ , pressure, depending on unit								
	Digital in PDF format	•	•	•	•	•	•	-	7057-0001
Reinforced rack	Shelf rack in set with pair of retaining rails (U rails), made entirely of stainless steel								
	Load-bearing capacity 50 kg	-	•	-	-	-	-	-	8012-2412
		-	-	•	•	-	-	-	8012-2413
	Load-bearing capacity 80 kg	-	-	-	-	•	-	-	8012-2414
		-	-	-	-	-	•	-	8012-2415

Designation	Description	KB 65	KB 130	KB 260	KB 470	KB 720	KB 1060	*	Art.-No.
Shelf rack, perforated	Shelf rack in set with pair of retaining rails (U rails), made entirely of stainless steel								
	Load-bearing capacity 25 kg	•	-	-	-	-	-	-	8012-2405
		-	•	-	-	-	-	-	8012-2406
		-	-	•	•	-	-	-	8012-2407
	Load-bearing capacity 40 kg	-	-	-	-	•	-	-	8012-2408
		-	-	-	-	-	•	-	8012-2409
Stacking adapter	For safe stacking of two identical units	•	-	-	-	-	-	-	9051-0056
		-	•	-	-	-	-	-	9051-0048
Standard rack	Shelf rack in set with pair of retaining rails (ball bearing mounted telescopic rails), made entirely of stainless steel								
		-	-	•	•	-	-	-	8012-2384
	Load-bearing capacity 40 kg	-	-	-	-	•	-	-	8012-2385
		-	-	-	-	-	•	-	8012-2386
	Shelf rack in set with pair of retaining rails (U rails), made entirely of stainless steel								
	Load-bearing capacity 25 kg	•	-	-	-	-	-	-	8012-2388
		-	•	-	-	-	-	-	8012-2389
		-	-	•	•	-	-	-	8012-2390
	Load-bearing capacity 40 kg	-	-	-	-	•	-	-	8012-2391
		-	-	-	-	-	•	-	8012-2392

SERVICES

Designation	Description	*	Art.-No.
1-year warranty extension	The warranty is extended by 1 year from the delivery date, wear parts are excluded	-	DL50-0010
BRONZE 3-year maintenance contract	Maintenance service as contractually agreed, visual inspection of mechanical and electrical components, check of control response, 20% discount on spare parts	-	DL20-0720
Calibration certificate, temperature	Calibration of one (1) test temperature specified by the user in center of chamber, including certificate	-	DL30-0135
	Extension of calibration of one (1) additional test temperature specified by the user in the center of the usable space, including certificate	-	DL30-0102
Execution of IQ/OQ	Execution of IQ/OQ in accordance with qualification folder	-	DL41-0200
Execution of IQ/OQ/PQ	Execution of IQ/OQ/PQ in accordance with qualification folder	-	DL44-0500
GOLD 3-year maintenance contract	Maintenance service as contractually agreed, visual inspection of mechanical and electrical components, check of control response, 20% discount on spare parts, testing of all key functions, replacement of wear parts, calibration of one test temperature specified by the user in the center of the usable space, including certificate	-	DL20-0945
Maintenance	One-off maintenance service in accordance with maintenance schedule. Visual inspection of mechanical and electrical components, testing of all key functions. Calibration of a test temperature specified by the user in center of usable space without certificate	-	DL20-0604
SILVER 3-year maintenance contract	Maintenance service as contractually agreed, visual inspection of mechanical and electrical components, check of control response, 20% discount on spare parts, testing of all key functions, calibration of one test temperature specified by the user in the center of the usable space, without certificate	-	DL20-0845
Temperature measurement, 9 measuring points	Temperature measurement with 9 measuring points with a set value specified by the user, including certificate	-	DL30-0109
Temperature measurement, 18 measuring points	Temperature measurement with 18 measuring points with a set value specified by the user, including certificate	-	DL30-0118
Temperature measurement, 27 measuring points	Temperature measurement with 27 measuring points with a set value specified by the user, including certificate	-	DL30-0127

Designation	Description	*	Art.-No.
Unit commissioning	Connect the unit to the customer-side connections (electricity, water, wastewater, gas), basic functions check, brief operating instructions. (excl.: unpacking, setup, controller instructions, programming, installation work)	-	DL10-0100
Unit instructions	Instruction regarding operating principle and basic functions of the unit, operation of the control electronics including programming	05	DL10-0500

Series KB PRO | with an extended temperature range

A temperature control cabinet that can do it all, the KB PRO is our most powerful cooling incubator. With a temperature range of -20°C to +100°C and comprehensive programming options, it covers a wide range of applications that extend well beyond incubation.



Model 470

BENEFITS

- Reliable and powerful thanks to innovative temperature control technology
- Reliable: failsafe operation over the long term thanks to proven compressor technology and inner chamber made of stainless steel
- Smart: signal triangle with light-up status display, ergonomic control terminal with touchscreen program controller, rack with telescopic rails
- Efficient: low energy consumption thanks to modern inverter cooling technology

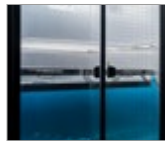




IMPORTANT CHARACTERISTICS

- Temperature range: -20°C to +100°C
- Proven APT.line™ preheating chamber technology
- Energy-efficient cooling with modern inverter cooling unit
- Cooling with climate-neutral R-290 refrigerant
- Door heating to prevent condensation
- Adjustable fan speed
- Robust housing design with HIT sandwich technology
- Stainless-steel inner chamber
- Inner doors made of metal oxide-coated safety glass
- Two racks made of stainless steel (for models from 260 with telescopic rails)
- Large access port with silicone plug
- Tabletop units (up to model 130) are stackable with stacking adapter
- Floor-standing units (from model 260) featuring robust twin casters, with brakes at the front
- Intuitive touchscreen controller with time-segment and real-time programming
- Ergonomically adjustable control terminal (from model 470)
- Signal triangle with light-up status display (from model 470)
- Internal data logger, measured values can be read out in open format via USB
- Class 3.3 independent temperature safety device (DIN 12880) with visual and acoustic alarms
- Unit self-test for comprehensive status analysis
- Data interfaces: Ethernet, USB
- BINDER Multi Management Software APT-COM™ basic edition
- Optional light modules for ICH photostability testing (for models 260, 470, 720)
- Optional LED light modules for plant growth (for models from 260)

AVAILABLE SIZES

Designation	Interior volume	Kurz-URL
KB PRO 130	127	› go2binder.com/en-KBPRO130
KB PRO 260	262	› go2binder.com/en-KBPRO260
KB PRO 470	472	› go2binder.com/en-KBPRO470
KB PRO 720	727	› go2binder.com/en-KBPRO720
KB PRO 1060	1,070	› go2binder.com/en-KBPRO1060
KB PRO 1600	1,610	› go2binder.com/en-KBPRO1600

OPTIONAL EQUIPMENT

ICH-Lighting module	<p>Light cassettes and supply module for upgrading a cooling incubator to a photostability test chamber. Can be retrofitted in two versions with or without light sensors for light dose control (LQC). Complies with ICH guideline Q1B.</p> <p>KB PRO 260, 470, 720</p>	
Plant Lighting module	<p>LED light strips with supply module and control unit for the three light channels warm white, cool white and dark red. The light strips can be positioned flexibly and are attached to standard slide-in grids.</p> <p>KB PRO 260, 470, 720 1060, 1600</p>	
CO2 Gassing module	<p>The free-standing units in the KB PRO series can be retrofitted with a CO2 gassing module. Control ranges 0-1 vol.-% CO2 for plants or 0-20 vol.-% CO2 for cell cultures.</p> <p>KB PRO 260, 470, 720</p>	
Services	<p>You can access our installation, maintenance, calibration, validation, or warranty services by taking out a Maintenance Service Agreement or by simply getting in touch when you need us.</p>	
BINDER Customized Solutions	<p>Using a BINDER series production product as a basis, we develop individual solutions as a single unit or in small batches. All products are tested, certified, and supplied with a full functional guarantee and warranty.</p>	

› Alle Extras Online go2binder.com/de-Optionen

TECHNICAL DATA

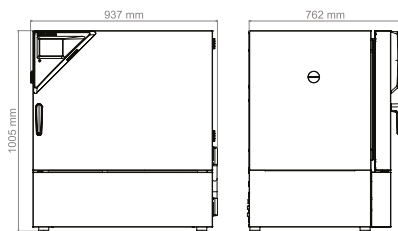
Data						
Designation	KB PRO 130	KB PRO 260	KB PRO 470	KB PRO 720	KB PRO 1060	KB PRO 1600
Option model	Standard	Standard	Standard	Standard	Standard	Standard
Performance Data Temperature						
Temperature range	-20...100 °C	-20...100 °C	-20...100 °C	-20...100 °C	-20...100 °C	-20...100 °C
Temperature uniformity at 37°C	0.2 ± K	0.2 ± K	0.2 ± K	0.2 ± K	0.2 ± K	0.2 ± K
Temperature fluctuation at 37°C	0.1 ± K	0.1 ± K	0.1 ± K	0.1 ± K	0.1 ± K	0.1 ± K
Max. heat compensation at 37°C	450 W	800 W	800 W	1,000 W	1,000 W	1,000 W
Recovery time after door was opened for 30 s at 37°C	2 min	3 min	4 min	4 min	4 min	6 min
Electrical data						
Rated Voltage	208...240 V	208...240 V	208...240 V	208...240 V	208...240 V	208...240 V
Power frequency	50/60 Hz	50/60 Hz	50/60 Hz	50/60 Hz	50/60 Hz	50/60 Hz
Nominal power	1 kW	1,5 kW	1,5 kW	1,7 kW	1,8 kW	1,8 kW
Unit fuse	16,0 A	16,0 A	16,0 A	16,0 A	16,0 A	16,0 A
Phase (Nominal voltage)	1~	1~	1~	1~	1~	1~
Dimensions and weights						
Interior volume	127 L	262 L	472 L	727 L	1,070 L	1,610 L
Net weight of the unit (empty)	135 kg	190 kg	233 kg	296 kg	353 kg	443 kg
Load per rack	25 kg	30 kg	40 kg	40 kg	40 kg	40 kg
Permitted load	50 kg	90 kg	90 kg	100 kg	100 kg	100 kg
Wall clearance back	100 mm	100 mm	100 mm	100 mm	100 mm	100 mm
Wall clearance sidewise	100 mm	180 mm	180 mm	180 mm	180 mm	180 mm
Housing dimensions not incl. fittings and connections						
Width net	900 mm	930 mm	930 mm	1,285 mm	1,285 mm	1,795 mm
Height net	1,005 mm	1,396 mm	1,951 mm	1,951 mm	1,951 mm	1,951 mm
Depth net	710 mm	900 mm	900 mm	900 mm	1,175 mm	1,175 mm
Internal Dimensions						
Interior width	656 mm	656 mm	656 mm	1,011 mm	1,011 mm	1,521 mm
Interior height	500 mm	695 mm	1,250 mm	1,250 mm	1,250 mm	1,250 mm
Interior depth	386 mm	575 mm	575 mm	575 mm	847 mm	847 mm
Inner doors	1	1	1	2	2	2
Unit doors	1	1	1	2	2	2
Environment-specific data						
Sound-pressure level at 25°C	46 dB(A)	48 dB(A)	50 dB(A)	50 dB(A)	50 dB(A)	52 dB(A)
Fixtures						
Number of shelves (std./max.)	2/6	2/9	2/16	2/16	2/16	2/16

ORDERING INFORMATION

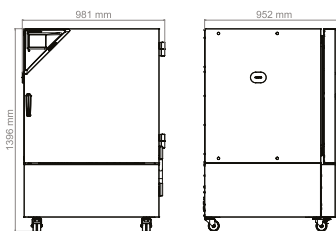
Interior volume [L]	Power supply - unit fuse	Plug*	Version	Model version	Art.-No.
Model KB PRO 130					
127	208...240 V 1~ 50/60 Hz -16,0 A	CEE 7/7	Standard	KBPRO130-230V	9020-0433
Model KB PRO 260					
262	208...240 V 1~ 50/60 Hz -16,0 A	CEE 7/7	Standard	KBPRO260-230V	9020-0434
Model KB PRO 470					
472	208...240 V 1~ 50/60 Hz -16,0 A	CEE 7/7	Standard	KBPRO470-230V	9020-0435
Model KB PRO 720					
727	208...240 V 1~ 50/60 Hz -16,0 A	CEE 7/7	Standard	KBPRO720-230V	9020-0436
Model KB PRO 1060					
1,070	208...240 V 1~ 50/60 Hz -16,0 A	CEE 7/7	Standard	KBPRO1060-230V	9020-0437
Model KB PRO 1600					
1,610	208...240 V 1~ 50/60 Hz -16,0 A	CEE 7/7	Standard	KBPRO1600-230V	9020-0438

DIMENSIONS AND WEIGHTS

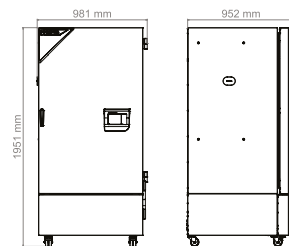
KB PRO 130



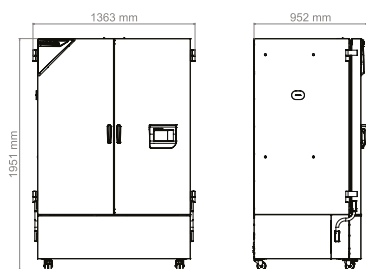
KB PRO 260



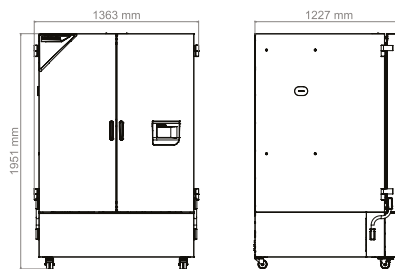
KB PRO 470



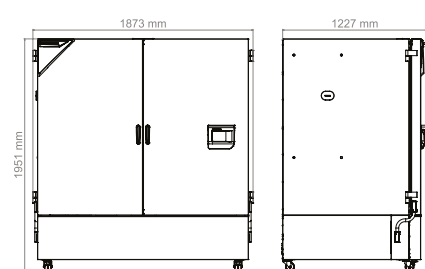
KB PRO 720



KB PRO 1060



KB PRO 1600



OPTIONS

Designation	Description	KB PRO 130	KB PRO 260	KB PRO 470	KB PRO 720	KB PRO 1060	KB PRO 1600	*	Art.-No.
Access port with silicone plug	left								
	30 mm	•	•	•	•	•	•	01	8012-2473
	50 mm	•	•	•	•	•	•	01	8012-2474
	100 mm	–	•	•	•	•	•	01	8012-2475
	right								
	30 mm	•	•	•	•	•	•	01	8012-2476
	50 mm	•	•	•	•	•	•	01	8012-2477
	100 mm	–	•	•	•	•	•	01	8012-2478
	top								
	30 mm	•	•	•	•	•	•	01	8012-2498
	50 mm	•	•	•	•	•	•	01	8012-2479
	100 mm	•	•	•	•	•	•	01	8012-2480
Alarm output, zero-voltage	Accessible via 3-pin clamping sleeve (max. 24 V - 2.5 A), with acoustic signal that can be switched off	•	•	•	•	•	•	-	8012-2502
Analog output 4-20 mA	for temperature values (output not adjustable)	•	•	•	•	•	•	-	8012-2573
Calibration certificate, expanded	for temperature; for extending the measurement in center of chamber to include another test temperature	•	•	•	•	•	•	-	8012-2373
Calibration certificate, temperature	for temperature, measurement in center of chamber at specified temperature	•	•	•	•	•	•	-	8012-2572
	temperature measurement incl. certificate, 9 measuring points at specified temperature	•	•	•	•	•	•	-	8012-2377
	temperature measurement incl. certificate, 15- 18 measuring points at specified temperature	•	•	•	•	•	•	-	8012-2381
	temperature measurement incl. certificate and 27 measuring points at specified temperature	•	•	•	•	•	•	-	8012-2425
Coated heat exchanger		•	–	–	–	–	–	-	8012-2580
		–	•	–	–	–	–	-	8012-2462
	For preventing damage to the aluminum heat exchanger caused by corrosive sample material	–	–	•	–	–	–	-	8012-2463
		–	–	–	•	•	–	-	8012-2464
		–	–	–	–	–	•	-	8012-2581
Door lock	lockable door handle	•	•	•	–	–	–	-	8012-2532
		–	–	–	•	•	•	-	8012-2533
Door lock, electromechanical	can be opened with PIN code via controller	•	•	•	–	–	–	-	8012-2534
		–	–	–	•	•	•	-	8012-2588

Designation	Description	KB	KB	KB	KB	KB	KB	*	Art.-No.
		PRO 130	PRO 260	PRO 470	PRO 720	PRO 1060	PRO 1600		
Inner chamber, reinforced	max. total load 100 kg	•	–	–	–	–	–	–	8012-2512
	max. total load 180 kg	–	•	–	–	–	–	–	8012-2513
	max. total load 200 kg	–	–	•	–	–	–	–	8012-2514
	max. total load 200 kg	–	–	–	•	–	–	–	8012-2515
Interior lighting	With climate-resistant LEDs, switches when the unit door is opened	•	•	•	–	–	–	–	8012-2560
		–	–	–	•	•	–	–	8012-2564
		–	–	–	–	–	•	–	8012-2568
Shipping pallet	with unloading ramp for installing unit without forklift	–	•	•	•	•	•	–	8012-2546
Specimen temperature display	Flexible Pt 100 indoor temperature sensor, for object temperature display or control	•	•	•	•	•	•	–	8012-2553
Swivel casters, height-adjustable	For horizontal alignment of the unit on uneven floors	–	•	•	•	•	•	–	8012-2542

ACCESSORIES

Designation	Description	KB	KB	KB	KB	KB	KB	*	Art.-No.
		PRO 130	PRO 260	PRO 470	PRO 720	PRO 1060	PRO 1600		
APT-COM™ 4 GLP-Edition	for working under GLP-compliant conditions. Measured values are documented in a tamper-proof way in line with the requirements of FDA Regulation 21 CFR 11.								
	version 4, GLP edition	•	•	•	•	•	•	–	9053-0042
APT-COM™ 4 PROFESSIONAL-Edition	convenient unit and user management built on the BASIC edition. Suitable for networking up to 100 units.								
	version 4, PROFESSIONAL edition	•	•	•	•	•	•	–	9053-0040
Base	With swivel casters, for mobile installation or leveling of the unit or stack of units	•	–	–	–	–	–	–	9051-0045
Converter, voltage	to operate the device at a nominal voltage of 120 V 1 ph 60 Hz								
	240 V option model	•	•	•	•	•	•	–	8009-0821
CO ₂ gassing module	BINDER CO ₂ gassing module 0-1%, with NDIR CO ₂ sensor and analog output 4-20 mA	–	•	•	•	•	•	–	8012-2140
	BINDER CO ₂ gassing module 0-20%, with NDIR CO ₂ sensor and analog output 4-20 mA	–	•	•	•	•	•	–	8012-2138
ICH light module	BINDER ICH-Q1B light module consisting of a VIS cassette and a UVA cassette as well as an independent power supply	–	•	•	–	–	–	–	8012-2441
		–	–	–	•	–	–	–	8012-2442
ICH light module with LQC	BINDER ICH-Q1B light module with light-dose control consisting of a VIS cassette, a UVA cassette, a spherical VIA sensor, a spherical UVA sensor as well as an independent power supply	–	•	•	–	–	–	–	8012-2443
		–	–	–	•	–	–	–	8012-2444

Designation	Description	KB PRO 130	KB PRO 260	KB PRO 470	KB PRO 720	KB PRO 1060	KB PRO 1600	*	Art.-No.
LED light bars	Basic set consisting of 2 pieces, attachment material, control unit for max. 4 light strips, 100-240 V, 50/60 Hz								
	Basic set 300, length 30 cm	•	•	•	•	•	•	-	8012-1107
	Basic set 500, length 50 cm	•	•	•	•	•	•	-	8012-1108
	Basic set 900, length 90 cm	-	-	-	•	•	•	-	8012-1109
	Expansion set consisting of 2 pieces, attachment material: clips. For expanding the basic set of light bars								
	Expansion set 300, length 30 cm	•	•	•	•	•	•	-	8012-1716
	Expansion set 500, length 50 cm	•	•	•	•	•	•	-	8012-1717
Light module for plants	Expansion set 900, length 90 cm	-	-	-	•	•	•	-	8012-1718
	BINDER LED plant light module consisting of 16 LED strip lights, 3-channel controller and fresh air pump as well as independent power supply	-	•	•	•	•	•	-	8012-2439
	pH-neutral detergent	•	•	•	•	•	•	-	8012-2250
Qualification documents	concentrated, for gentle remove of residual contaminants; 1 kg	•	•	•	•	•	•	-	8012-2250
	IQ/OQ/PQ documents – supporting documents for validation performed by customers, according to customer requirements, PQ section added to qualification folder IQ/OQ; parameters: temperature, CO ₂ , O ₂ – or pressure, depending on unit								
	Digital in PDF format	•	•	•	•	•	•	-	7057-0005
	Hard copy inside folder	•	•	•	•	•	•	-	7007-0005
	IQ/OQ documents – supporting documents for validation performed by customers, consisting of: IQ/OQ checklists incl. calibration guide and comprehensive unit documentation; parameters: temperature, CO ₂ , O ₂ , pressure, depending on unit								
Reinforced rack	Digital in PDF format	•	•	•	•	•	•	-	7057-0001
	Hard copy inside folder	•	•	•	•	•	•	-	7007-0001
	Shelf rack in set with pair of retaining rails (U rails), made entirely of stainless steel								
	Load-bearing capacity 50 kg	•	-	-	-	-	-	-	8012-2412
	Load-bearing capacity 80 kg	-	•	•	-	-	-	-	8012-2413
Shelf rack, perforated	Load-bearing capacity 80 kg	-	-	-	•	-	-	-	8012-2414
	Load-bearing capacity 80 kg	-	-	-	-	•	-	-	8012-2415
	Shelf rack in set with pair of retaining rails (U rails), made entirely of stainless steel								
	Load-bearing capacity 25 kg	•	-	-	-	-	-	-	8012-2406
	Load-bearing capacity 40 kg	-	•	•	-	-	-	-	8012-2407
Stacking adapter	Load-bearing capacity 40 kg	-	-	-	•	-	-	-	8012-2408
	Load-bearing capacity 40 kg	-	-	-	-	•	-	-	8012-2409
	Load-bearing capacity 40 kg	-	-	-	-	-	•	-	8012-2410
Stacking adapter	For safe stacking of two identical units	•	-	-	-	-	-	-	9051-0048

Designation	Description	KB	KB	KB	KB	KB	KB	*	Art.-No.	
		PRO 130	PRO 260	PRO 470	PRO 720	PRO 1060	PRO 1600			
Standard rack	Shelf rack in set with pair of retaining rails (ball bearing mounted telescopic rails), made entirely of stainless steel	-	•	•	-	-	-	-	8012-2384	
		-	-	-	•	-	-	-	8012-2385	
		-	-	-	-	•	-	-	8012-2386	
		-	-	-	-	-	•	-	8012-2387	
	Shelf rack in set with pair of retaining rails (U rails), made entirely of stainless steel	Load-bearing capacity 25 kg	•	-	-	-	-	-	-	8012-2389
			-	•	•	-	-	-	-	8012-2390
		Load-bearing capacity 40 kg	-	-	-	•	-	-	-	8012-2391
			-	-	-	-	•	-	-	8012-2392
-			-	-	-	-	•	-	8012-2393	

SERVICES

Designation	Description	*	Art.-No.
1-year warranty extension	The warranty is extended by 1 year from the delivery date, wear parts are excluded	-	DL50-0010
BRONZE 3-year maintenance contract	Maintenance service as contractually agreed, visual inspection of mechanical and electrical components, check of control response, 20% discount on spare parts	-	DL20-0720
Calibration certificate, temperature	Calibration of one (1) test temperature specified by the user in center of chamber, including certificate	-	DL30-0135
	Extension of calibration of one (1) additional test temperature specified by the user in the center of the usable space, including certificate	-	DL30-0102
Execution of IQ/OQ	Execution of IQ/OQ in accordance with qualification folder	-	DL41-0200
Execution of IQ/OQ/PQ	Execution of IQ/OQ/PQ in accordance with qualification folder	-	DL44-0500
GOLD 3-year maintenance contract	Maintenance service as contractually agreed, visual inspection of mechanical and electrical components, check of control response, 20% discount on spare parts, testing of all key functions, replacement of wear parts, calibration of one test temperature specified by the user in the center of the usable space, including certificate	-	DL20-0945
Maintenance	One-off maintenance service in accordance with maintenance schedule. Visual inspection of mechanical and electrical components, testing of all key functions. Calibration of a test temperature specified by the user in center of usable space without certificate	-	DL20-0604
SILVER 3-year maintenance contract	Maintenance service as contractually agreed, visual inspection of mechanical and electrical components, check of control response, 20% discount on spare parts, testing of all key functions, calibration of one test temperature specified by the user in the center of the usable space, without certificate	-	DL20-0845
Temperature measurement, 9 measuring points	Temperature measurement with 9 measuring points with a set value specified by the user, including certificate	-	DL30-0109
Temperature measurement, 18 measuring points	Temperature measurement with 18 measuring points with a set value specified by the user, including certificate	-	DL30-0118
Temperature measurement, 27 measuring points	Temperature measurement with 27 measuring points with a set value specified by the user, including certificate	-	DL30-0127
Unit commissioning	Connect the unit to the customer-side connections (electricity, water, wastewater, gas), basic functions check, brief operating instructions. (excl.: unpacking, setup, controller instructions, programming, installation work)	-	DL10-0100
Unit instructions	Instruction regarding operating principle and basic functions of the unit, operation of the control electronics including programming	05	DL10-0500

BINDER products

CO₂ incubators

Incubators

Cooling incubators

Growth chambers

Ultralow temperature freezers

Drying and heating chambers

Safety drying chambers

Vacuum drying chambers

Constant climate chambers

Dynamic climate chambers

Battery test chambers

Walk-in-chambers

Multi Management Software



Never miss a product novelty -
Subscribe and keep up to speed with
the BINDER monthly newsletter.

Subscription

go2binder.com/en-newsletter-subscription



Best conditions for your success

BINDER GmbH
Tuttlingen, Germany

Tel +49 7462 2005 0
info@binder-world.com
www.binder-world.com

CHIMICA CENTRO SNC

Via Vinciguerra, 45 | 62019 Recanati (MC)

T +39 071 7572490 | info@chimicacentro.it

P.IVA 00970300430 | REG. MC N. 00970300430 | R.E.A. MC N. 107669

www.chimicacentro.it